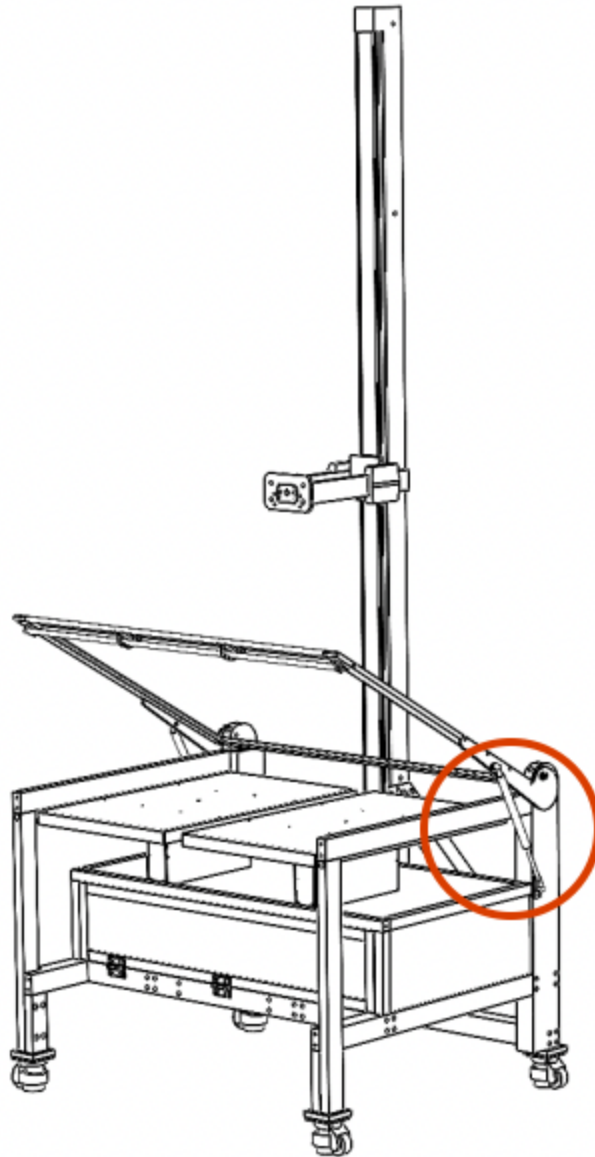


DT Versa Gas Spring Replacement Instructions



The DT Versa features an ergonomic positively-buoyant glass platen, with lift provided by two industrial-grade gas springs (one spring on each side). This component has been carefully selected and tested for maximum durability and reliability. However, as with any moving part, it will eventually wear and require replacement.

CAUTION: The purpose of this document is to provide a reference for you when replacing the DT Versa gas spring. This service operation can be completed by the customer without an on-site DT Technician, but it should be executed by someone comfortable working on mechanical devices. The spring is under load when the glass platen is down, so failure to follow the instructions below could be dangerous.

Once you have received your equipment, please reach out to support@digitaltransitions.com or call +1 (212) 529-6825 option #4 to schedule a time with our team to assist you in performing the gas spring replacement.

DT will not be held responsible for any damage or injury caused by improper installation or calibration in the event that the user attempts to install the equipment without a support team member present remotely.

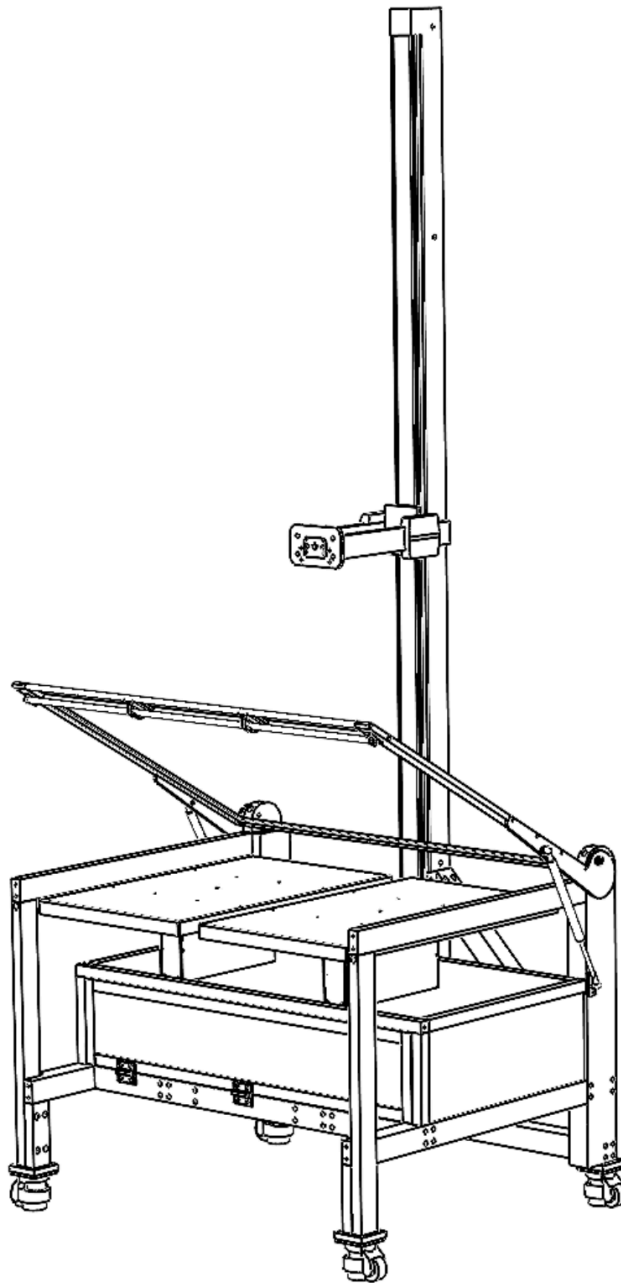
It is essential that at least two people work on the installation. Each should be comfortable with lifting weights of up to 25 lbs.

Please reach out to us at support@digitaltransitions.com and we will be more than glad to discuss any questions or concerns you might have.

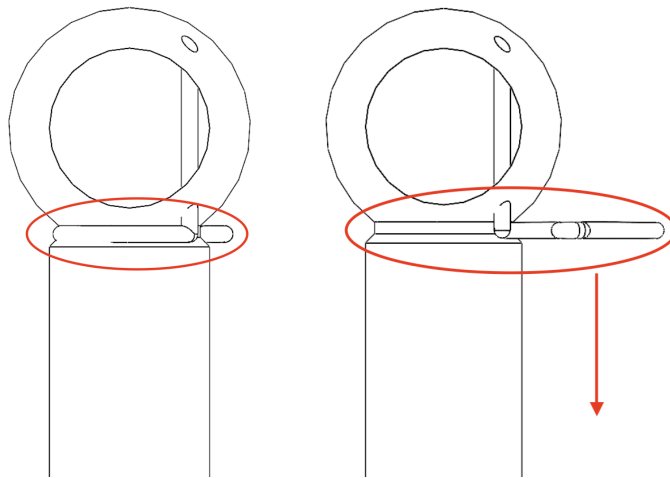
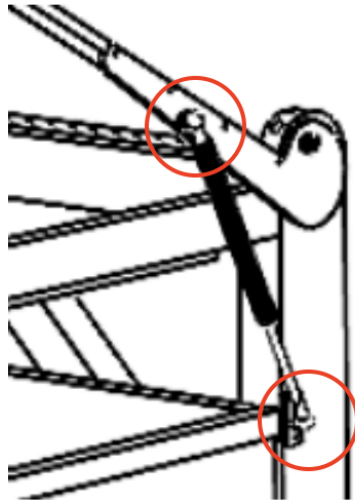
Sincerely,

The Digital Transitions Technical Support Team

1. To replace the gas spring we recommend this task to be performed with 2 people.
2. Make sure the camera on the carriage is high enough so it is out of the way when the glass top opens up.
3. Remove the DT Versa hardtop.
4. Have one person hold the glass top in the open position so that the gas springs are fully extended. This position must be maintained throughout the installation process. **The spring is under load when the glass platen is down, so failure to follow the instructions below could be dangerous.**



5. **With the gas spring fully extended:** There is a ball socket with a locking pin on each end of the gas spring. To remove the gas spring you must remove the locking pin first by rotating the pin then pulling the pin out.



6. Once the locking pin is removed the sockets can be popped off of the joints on the DT Versa; if your gas spring comes with the joint, you can remove it and discard it.
7. When installing the new replacement gas springs, please make sure the black part of the gas spring is toward the top.



8. Once the gas springs are installed, make sure the locking pins are inserted back into sockets so the gas springs stay in place. Note: The sockets have holes in them that the locking pins align with.

