

DT V-Cradle Hardware Guide



The DT V-Cradle is purpose-designed to make the digitization of bound material simple, fast, and safe. We spent years interviewing and listening to feedback from the Cultural Heritage community in order to develop a product that meets your specific needs, including the ability to safely handle rare and delicate material, accommodate the myriad bindings in your collection, and integrate it into your unique workflow and digitization process—all in a custom design built specifically for operator comfort.

CAUTION: The purpose of this document is to provide a reference for you when using the DT V-Cradle. Service operations can be completed by the customer without an on-site DT Technician, but it should be executed by someone comfortable working on mechanical devices. The glass spring arms are under load when the glass is sitting under the spring thumb lock. Failure to follow the instructions below could damage the equipment or be dangerous.

Once you have received your equipment, please reach out to support@digitaltransitions.com or call +1 (212) 529-6825 option #4 to schedule a time with our team to assist you in performing the glass panel replacement.

DT will not be held responsible for any damage or injury caused by improper installation or calibration in the event that the user attempts to install the equipment without a support team member present remotely.

Please reach out to us at support@digitaltransitions.com and we will be more than glad to discuss any questions or concerns you might have.

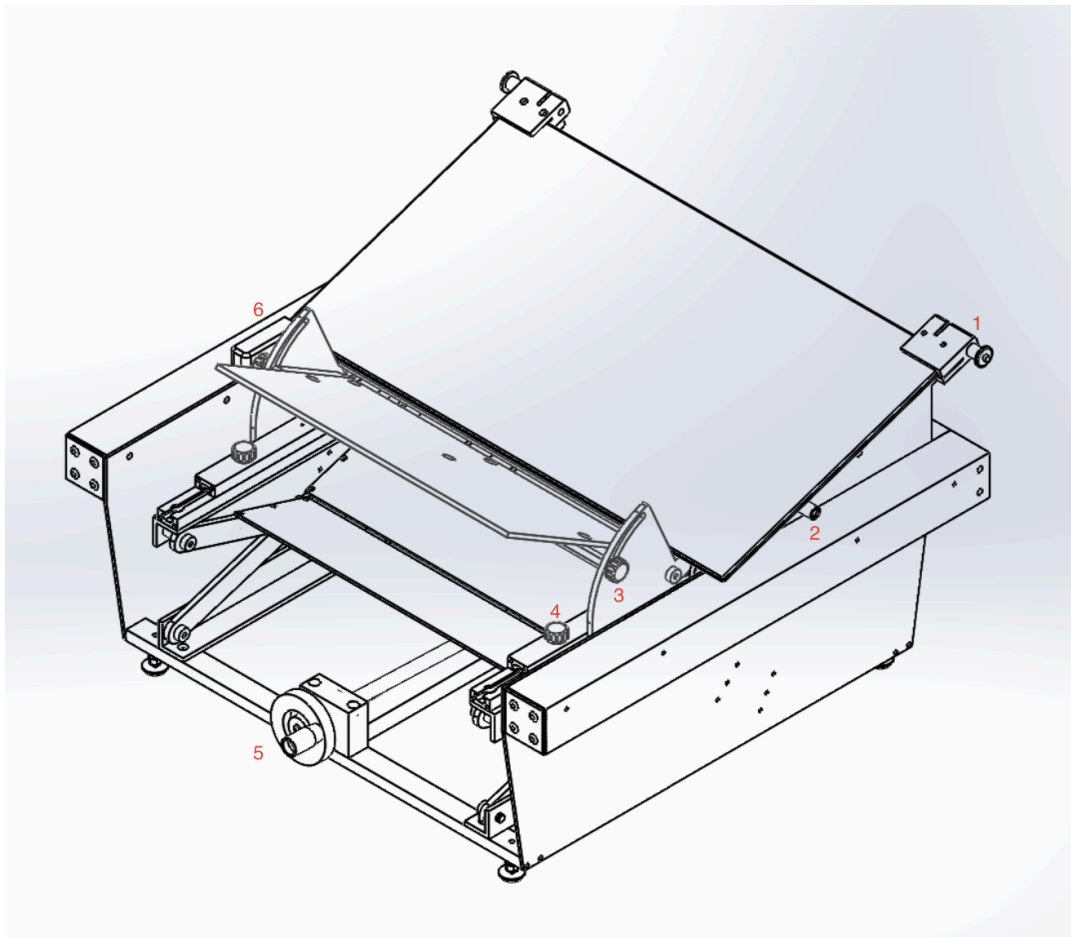
Sincerely,

The Digital Transitions Technical Support Team

PACKAGE CONTENTS

- DT V-Cradle
- Glass Panel (not installed)
- Target Holder (not installed)
- Book Binding Support
- Foam Support
- Book Pad

DT V-CRADLE COMPONENTS



1. Glass Hinge
2. Spring Arm Lock
3. Book Opening Angle Control
4. Gutter Slide Position Lock
5. Book Height Control
6. Spring Thumb Lock for Glass Panel

DT V-Cradle Assembly

It is important to follow these directions as stated to prevent possible injury and/or damage to the DT V-Cradle.

Handle Installation

The handle of the height control wheel is mounted backward on the wheel to prevent damage during shipping.

1. With the included Allen wrench, remove the handle from the height control wheel (5).
2. Re-attach to the height control wheel in the outward-facing direction.

Glass Panel Installation

1. The DT V-Cradle ships with the lock pins in the Spring Arm Lock (2).
2. With the Spring Arms in the locked position, place the glass panel on top of the cradle. Make sure the hinges from the glass are lined up with the Glass Hinges of the cradle (1).
3. Make sure that the glass is sitting under the spring thumb lock (6). This will hold the spring arms in place.
4. **IMPORTANT:** Make sure the glass panel is sitting under the spring thumb lock.
 - a. Remove the lock pin from the Spring Arm Lock (2) by depressing the blue button and pulling out on the lock pin.
 - b. Align the lock pin with the hinge on the glass panel (1). Depress the blue button and insert the lock pin into the glass plate hinge. Insert the pin until the blue buttons pop up. Check the pin is fully locked by lightly pulling on the black collar.
 - c. Repeat for the opposite-side lock pin.

Glass Panel Removal Or Replacement

1. Make sure that the glass is sitting under the spring thumb lock (6). This will hold the spring arms in place.
2. **IMPORTANT:** Make sure the glass panel is sitting under the spring thumb lock.
 - a. Remove the lock pin from the glass hinge (1) by depressing the blue button and pulling out the lock pin.
 - b. Insert the lock pin into the Spring Arm Lock hole (2). Insert the pin until the blue buttons pop up. Check the pin is fully locked by lightly pulling on the black collar.
 - c. Repeat for the opposite-side lock pin.
 - d. You can now safely remove the glass panel.

The glass is user-replaceable. The hinges can be removed with a standard Phillips screwdriver, and placed onto a replacement glass panel. Replacement glass can be sourced from DT.

Target Holder Installation

This holder is a magnetic holder and is specifically compatible with Image Science Associates 0.5x and 1x Object Level Targets.

1. If installed, raise the glass panel.
2. Remove the side rubber covers.
3. Place the “feet” of the target holder in the top most slot. Note that the magnetic strip should be facing towards the glass.
4. Replace the side rubber covers and check that the glass panel closes properly.